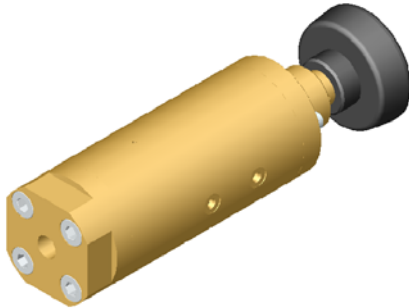


MPG 03 HD



- ▶ manual valve
- ▶ function manually operated
- ▶ main materials brass and monel
- ▶ seat material PEEK
- ▶ media inert gases / rare gases /
CO / O₂ / CO₂ / air
other media on request
- ▶ approval BAM
- ▶ suitable for high pressure oxygen service

technical data

- ▶ pressure range 0 - 420 bar
- ▶ connections BSP 1/4", NPT 1/4"
- ▶ nominal diameter DN 03
- ▶ actuation handwheel
- ▶ media temperature from - 40° C to + 80° C
- ▶ ambient temperature from - 40° C to + 60° C
- ▶ vacuum leak rate 10⁻⁶ mbar x l x s⁻¹
- ▶ flow direction A > B B > A
- ▶ Kv-value 0,25 m³/ h 0,29 m³/ h

- ▶ length 198 mm
- ▶ width 57 mm
- ▶ weight 2,0 kg

alternative valve types of this series

- ▶ pneumatic version
- ▶ manual + pneumatic version
(i. e. pneumatic version with manual override)
- ▶ proportional version

options with these valve types

- ▶ connections made to specification
- ▶ configuration in stainless steel instead of monel
- ▶ assembly in compact manifolds
(possibility to join up to 5 valves on 1 module)

technical drawings

