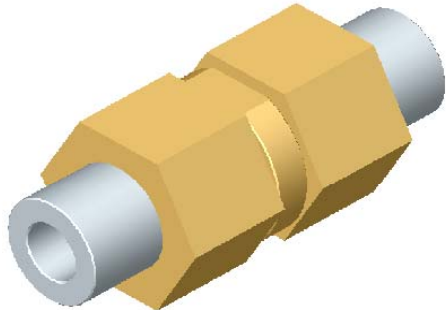


MPG 12 FI



- ▶ filter
- ▶ main materials brass
- ▶ filter material nickel
- ▶ media inert gases / rare gases /
CO / O₂ / CO₂ / air
other media on request
- ▶ suitable for high pressure oxygen service

technical data

- ▶ pressure range 0 - 420 bar
- ▶ connections BSP 1/2", NPT 1/2", SW 1/2"
- ▶ nominal diameter DN 12
- ▶ media temperature from - 40° C to + 80° C
- ▶ ambient temperature from - 40° C to + 60° C
- ▶ vacuum leak rate 10⁻⁶ mbar x l x s⁻¹
- ▶ flow direction A > B
- ▶ filter cartridge options 15 microns 63 microns
- ▶ Kv-value 4,25 m³/h 4,67 m³/h

- ▶ length 157 mm
- ▶ width SW 60 mm
- ▶ weight 3,0 kg

options with these valve types

- ▶ connections made to specification
- ▶ other options on request

technical drawings

